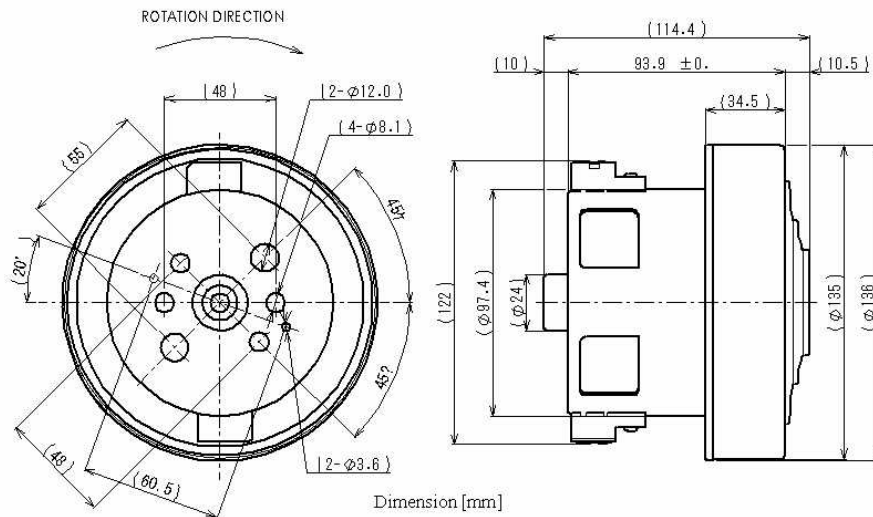


MODEL YV-20K



Voltage (電圧)	240v (50Hz)
Input Power Max. (入力)	2070W at open
Output Max. (出力)	735W at 30dm ³ /s
Vacuum (真空圧)	29kPa at 18.8dm ³ /s
Airflow Max. (風量)	60dm ³ /s at open
Efficiency Max. (効率)	42.7% at 30dm ³ /s
Rotational Frequency Min. (回転数)	36200r/min at open
Life (寿命)	500h
Mass (重量)	1.82kg
Insulation Class (絶縁クラス)	F
Remarks (備考)	

